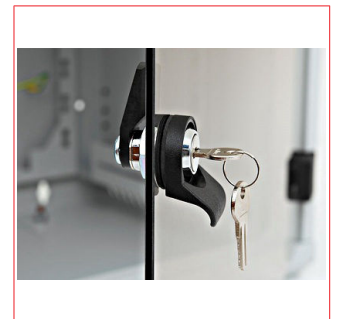
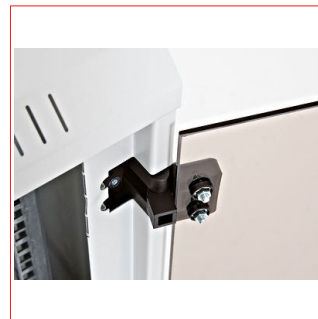


Tehničke karakteristike artikla: DW066040--

19" Nazidni orman, monoblock, 6HU, 370/600/395(VxŠxD)



SCHRACK info

TEHNIČKI PODACI

- Čelični lim
- Raspoložive visine: 4, 6, 9, 12, 15 and 18U
- Širina: 600mm, Dubina: 395mm
- Boja: RAL7035 (svijetlo-siva)
- Stupanj zaštite: IP20
- Front-full-glassdoor made from safety glass 5mm including lock and 2 keys
Door hinged right, easy and quick change to left hinging possible
Door opening: ca 180°
Fullmetall- and perforated doors available as an option
- 19" rails (2 pcs.) galvanised, continuously depthadjustable. Numbering of Height-Units (U) by laser for easy readability.
- Cable-entry-openings in roof (1x), floor (1x) and rearpanel (2x). Covered with „break-out-style“ blanking covers, which can be easily broken out by use of a simple tool like a screwdriver.
- Cable-entry-panel with brush included (1x).
- Passive cooling by ventilation slots
- M8- Earthing point in the rear of the cabinet.
- FastOn-Earthing-connections to all dismountable parts pre-installed.
- Including assembly materials:
8 x Cage nuts, bolts and washers M6.
4x dowel 10x50 and 4x screws M6x50 for fixing the wall.
- Wide range of available accessories (patchpanels, fixed shelves, PDUs, cable management, doors, etc.).
- Enclosure is delivered fully-assembled.
- space between front vertical 19"-rail and door glass at max. spacing: W600 – 25mm
- Units of measurement:
Unit (Height Unit): 1U= 44,45mm, Inch: 1"= 25,4mm, Unit (Height Unit): 1U= 1,75"

Tehnički podaci

Neto širina (mm)	600,00
Neto visina (mm)	370,00
Neto dubina (mm)	395,00
Neto težina (kg)	14,00
Min. temperatura okoline (°C)	0
Maks. temperatura okoline (°C)	40
Prikladno za visinu unit-a	6U-370mm
Proizvod	Data-Enclosures Wallmounting Monobloc IP20
Krovni ventilator, opcija	ne

Tehnički podaci - nastavak

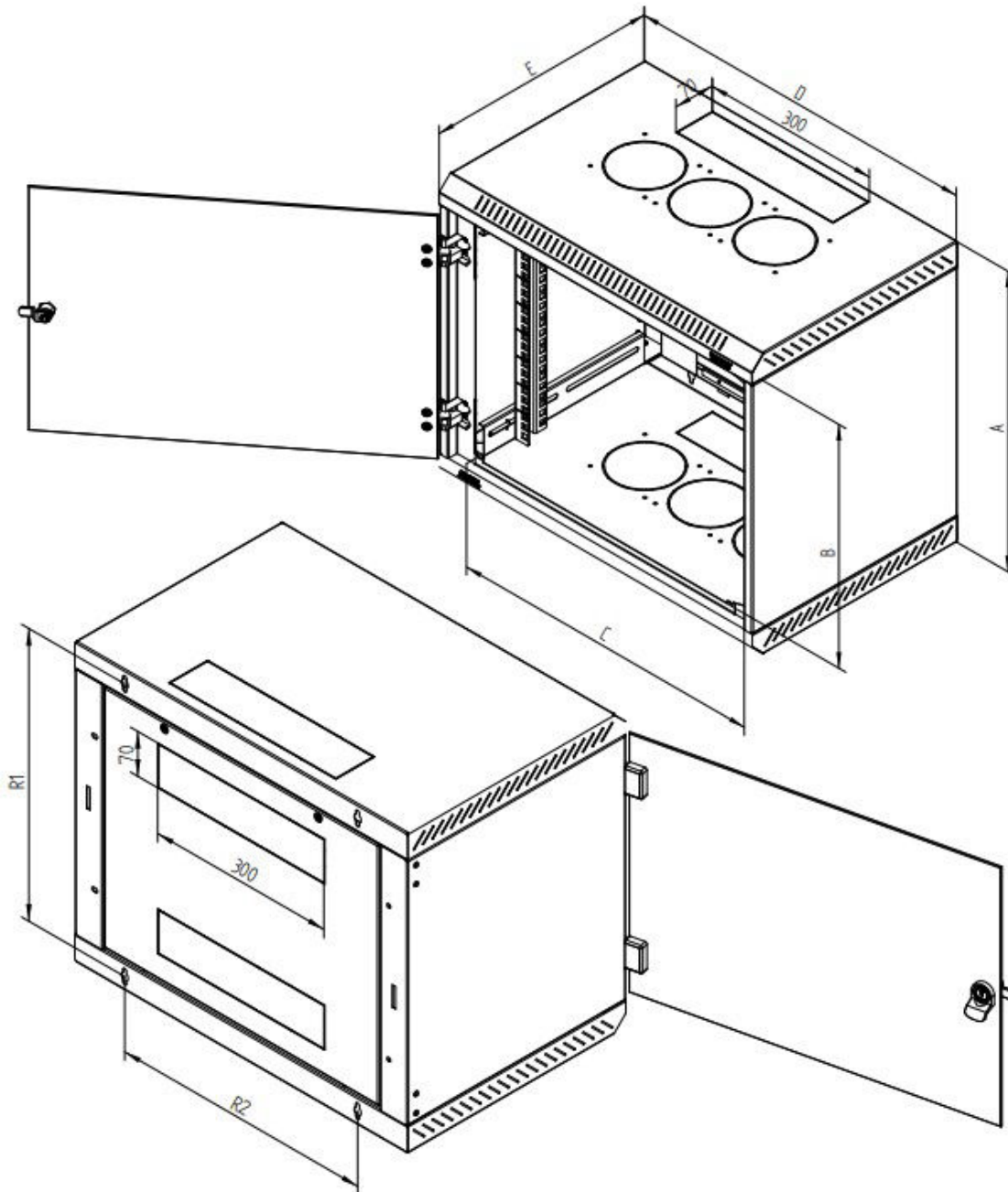
Osnovni opis

Kućište

Lista fajlova: 19" Nazidni orman, monoblock, 6HU, 370/600/395(VxŠxD)

Typ	A	B	C	D	E	R1	R2	Gewicht brutto (kg)	Gewicht netto (kg)	Empfohlene Maximallast (kg)
	(mm)									
DW046040--	280	175	516	600	395	234	420	12,0	11,7	60
DW066040--	370	265	516	600	395	324	420	13,9	13,6	60
DW096040--	500	395	516	600	395	454	420	16,5	16,1	80
DW126040--	635	530	516	600	395	589	420	19,5	19,1	80
DW156040--	770	665	516	600	395	724	420	22,2	21,8	100
DW186040--	900	795	516	600	395	854	420	25,1	24,7	100

Dimenzija: 19" Nazidni orman, monoblock, 6HU, 370/600/395(VxŠxD)



Schnittansicht der vertikalen 19"-Profilschienen

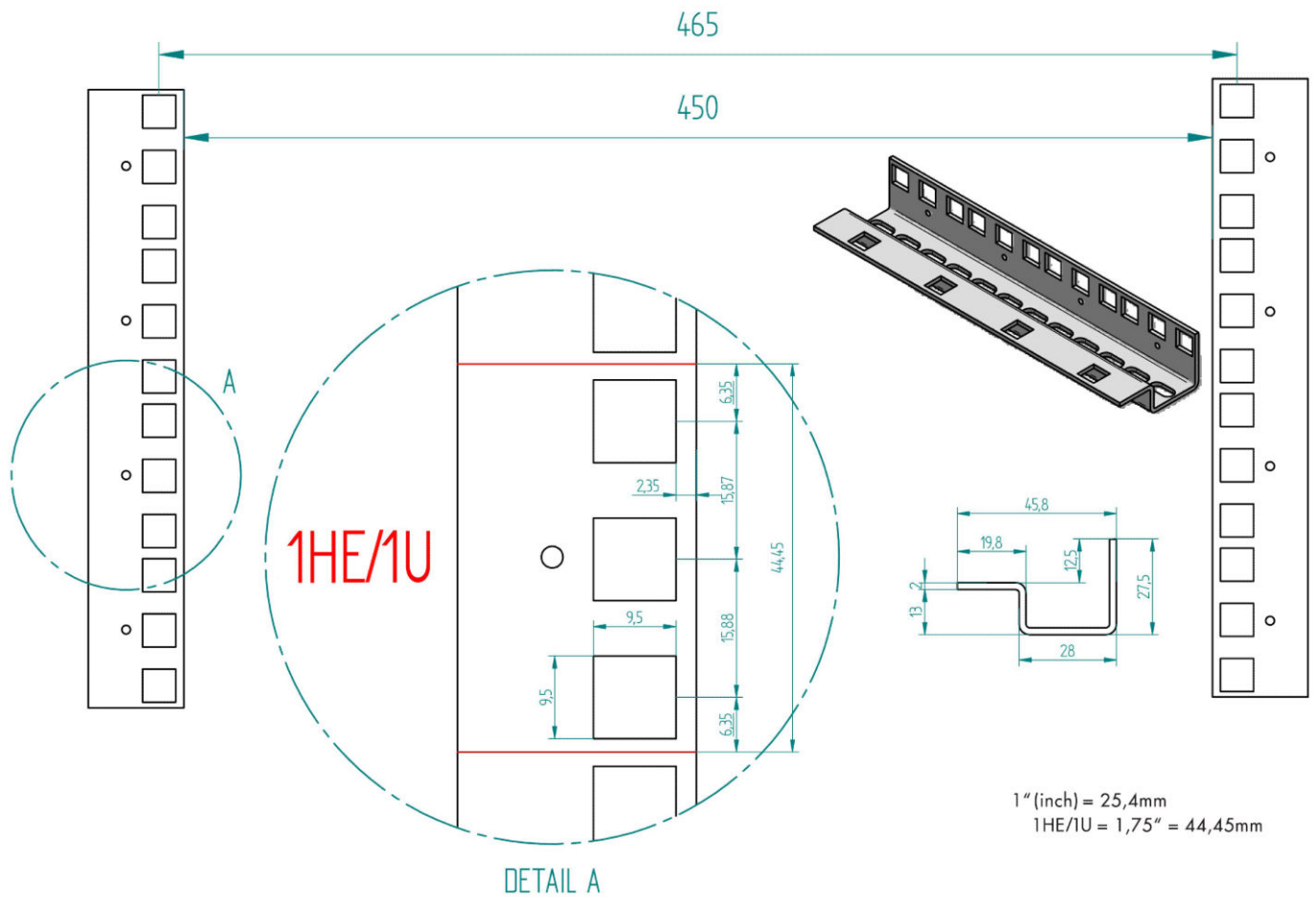


Tabela artikla

OPIS	Kat. broj
19" Nazidni orman, monoblock, 6HU, 370/600/395(VxŠxD)	DW066040
Dodatni pribor	
19" Fiksna polica dubine 250mm, 1HU, 15kg max, perforirana	DFS14825-C
19" Set za fiksiranje opreme M6 (vijak+kavez matica), 50 kom	DSSRA050
19" LED svetiljka, 700lm, montaža magnetom ili vijkom	DV900336-A
19" Napojni panel-9xSCHUKO, ALU, 1HU	IU070114
19" Napojni panel-8xSCHUKO i prekidač, ALU, 1HU kabl sa utikačem 2m, RAL7035	IU070124
19" Vrata za DW orman, 6HU, širine 600mm, puna	DWRT0660
19" Vrata za DW orman, 6HU, širine 600mm, perforirana	DWRT0661
19" Vrata za DW orman, 6HU, širine 600mm, staklena	DWRT0663
19" Vrata za DW orman, 6HU, širine 600mm, metalna, polucilin Vorbereitung	DWRT0666
19" Vrata za DW orman, 6HU, širine 600mm, staklena, polucilin Vorbereitung	DWRT0667
19" Set nosača za police, za DW ormane	DFSZDW01
Switch 24xRJ45 10/100/1000, tihi, bez ventilatora, interni Metalno kućište, 19"	QLGSW2457
TOOLLESS LINE-19" Patch panel za 24 modula, prazan, visine 1HU svetlo sivi, jezičak prespojnog kabla okrenut prema dole	HSER0240GS